



The DFW-SX900 is a high-resolution SXGA 1280 x 960 pixel color C mount camera featuring a 1/2 type progressive scan 1,450,000 pixel CCD.

The DFW-X700 incorporates a 1/2 type progressive scan 800,000 pixel CCD and possesses the same features as the DFW-SX900.

Both models have square pixels as well as a primary filter which enables high color quality. Moreover, both models incorporate an external trigger with exposure range from 1/20,000 to 2 seconds, allowing the cameras to capture fast moving objects clearly or image still objects in low light.

Incorporating an IEEE 1394 digital interface, this advanced digital camera produces new levels of detailed, uncompressed images. Its compact and lightweight design makes the DFW-SX900 and DFW-X700 easy to install and ideal for a variety of applications such as machine vision, image processing, microscopy and factory automation.

DFW-SX900 DFW-X700

Component/OEM



FEATURES

- High resolution video format
SXGA 1280 x 960 (DFW- SX900)
XGA 1024 x 768 (DFW- X700)
- IEEE 1394 Digital camera specification (Ver.1.30)
- 400 Mb/s IEEE 1394 digital interface
- C mount
- External trigger function
- Scalable function
(8 or 16 zone selectable – electronic pan/tilt)
Scalable mode allows selection of an area within a full image for output.
- Flange back adjustment

SPECIFICATIONS

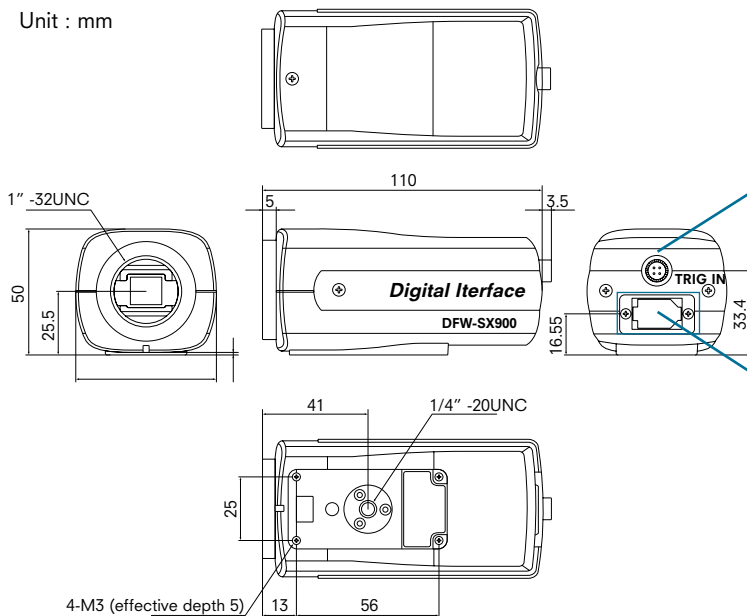
DFW-SX900

DFW-X700

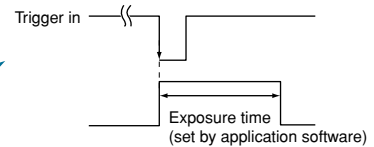
Image device	1/2 type IT progressive scan CCD	
Effective picture elements	Approx. 1,450,000; 1392 (H) x 1040 (V)	Approx. 800,000; 1034 (H) x 779 (V)
Picture size	SXGA (1280 x 960)	XGA (1024 x 768)
Cell size	4.65 μm (H) x 4.65 μm (V)	6.25 μm (H) x 6.25 μm (V)
Lens mount	C mount	
Minimum illumination	20 lx (F1.4, Gain + 18 dB)	
Digital interface	IEEE 1394-1995	
Transfer rate	400 Mb/s, 200 Mb/s	
Frame rate	7.5 or 3.75 frames/s	15 or 7.5 frames/s
Gain control	Manual (0 - 18 dB)	
Shutter speed	1/20,000 - 2 s	
External trigger shutter	Yes (Trigger mode 0)	
Scalable function	16 zones (4 x 4)	8 zones (2 x 4)
Power requirements	DC 8 - 30 V from IEEE 1394 camera cable	
Power consumption	3.3 W (DC 12 V)	
Dimensions	55 (W) x 50 (H) x 110 (D) mm (2 1/4 x 2 x 4 3/8 inches)	
Mass	250 g (9 oz)	
Operation temp.	- 5 to 45 °C (23 to 113 °F)	
Storage temp.	- 20 to 60 °C (-4 to 140 °F)	
Regulations	UL1950, FCC Class B Digital Device, CE (EN6060-1)	
Supplied accessories	Lens mount cap (x1), Clamp filter (x2), External trigger connector (male) (x1), Operating instructions (x1), Cable (x1)	

DIMENSIONS

Unit : mm



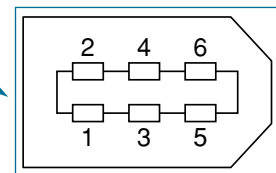
TRIGGER SHUTTER



4 PIN ASSIGNMENT

1	NC
2	GND
3	TRIGIN
4	NC

6 PIN ASSIGNMENT



- 1: Power
- 2: Power (GND)
- 3: TPB-
- 4: TPB+
- 5: TPA-
- 6: TPA+

Product information
is available on the
ISP Home Page

Click!

Sony Belgium (ICS) +32 2 724 18 24
 Sony France (ICS) +33 1 55 90 41 58
 Sony Germany (ICS) +49 221 537 8923
 Sony Italy (ICS) +39 02 61 83 84 06
 Sony Netherlands (ICS) +31 20 658 1502
 Sony Nordic (ICS) +46 40 19 08 06
 Sony Spain (ICS) +34 902 41 51 61
 Sony Switzerland (ICS) +41 1 733 3477
 Sony UK (ICS) +44 1932 816 340

© 2000 Sony Corporation. All rights reserved.
 Reproduction in whole or in part without written
 permission is prohibited.
 Design and specifications are subject to change
 without notice.

Sony  line

<http://www.sony.co.jp/ISP/>

<http://www.pro.sony-europe.com/isp>

CA DFW-SX900/X700/GB-01/09/2000