

## XCD-SX900 XCD-X700

### Component/OEM



#### OUTLINE

The XCD-SX900 is a high-resolution black and white C-mount camera module incorporating the latest 1/2" Interline (IT) progressive scan 1,450,000 pixel CCD. This new age digital camera has an IEEE1394 digital interface, producing new levels of precise and detailed images for industrial applications. With its one-piece, self contained body, the XCD-SX900 can be easily installed and features high shock and vibration tolerance, making it ideal for use in demanding factory automation and image processing systems.

The XCD-X700 incorporates a 1/2" Interline (IT) progressive scan 800,000 pixel CCD and possesses the same features as the XCD-SX900. Both models incorporate an external trigger, allowing fast moving objects to be captured clearly.

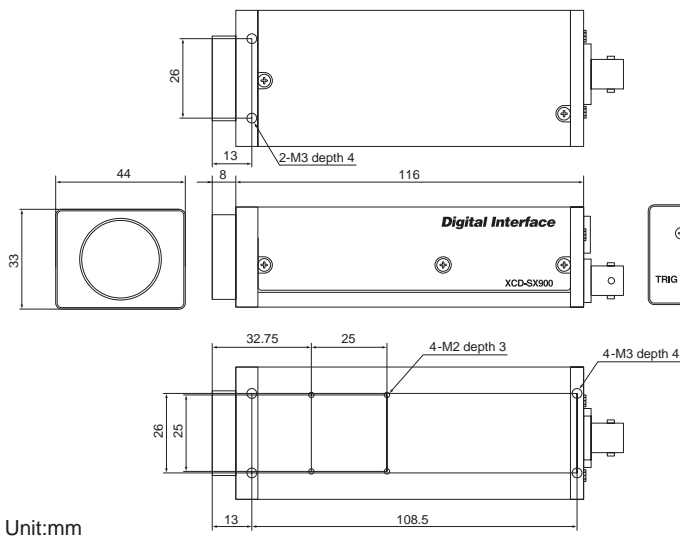
#### FEATURES

- High resolution video format  
XGA, 1280(H) x 960(V) (XCD-SX900)  
SXGA, 1024(H) x 768(V) (XCD-X700)
- C-mount
- High speed IEEE1394 digital interface
- 1394-based Digital Camera Specification (Ver.1.20)
- External trigger function (BNC input)
- Scalable function (16 zone selectable)
- High shock and vibration tolerance

## SPECIFICATIONS

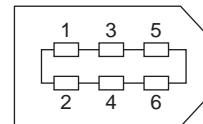
	XCD-SX900	XCD-X700
Image device	1/2" IT CCD	
Effective picture elements	1,450,000; 1392 (H) x 1040 (V)	800,000; 1034 (H) x 779 (V)
Video format	SXGA (1280 x 960)	XGA (1024 x 768)
Cell size	4.65 x 4.65 $\mu\text{m}$	6.25 x 6.25 $\mu\text{m}$
Lens mount	C mount	
Minimum illumination	4 lx (Lens open, Gain +18 dB)	
Digital interface	IEEE1394	
Transfer rate	400 Mps	
Frame rate	7.5 or 3.75 frames/s	15 or 7.5 frames/s
Gain control	Manual (0~18 dB)	
External shutter	1/100,000 ~ 2 s	
External trigger shutter	Yes	
Scalable function	16 zones (4 x 4)	
Power requirements	DC 8 ~ 30 V	
Power consumption	3.0 W	
Dimensions	44 (W) x 33 (H) x 116 (D) mm (1 3/4 x 1 15/16 x 4 5/8 inches)	
Mass	250 g (9 oz)	
Operation temp.	-5 ~ +45°C	
Storage temp.	-30 ~ +60°C	
Vibration	10 G (20 ~ 200 Hz)	
Shock resistance	70 G	
Regulations	UL1492, FCC Class A Digital Device, CE (EN50081-2 + EN50082-2), AS4251.1 + AS4252.2	
Supplied accessories	Lens mount cap (1), Operating instructions (1) cable (1)	

## DIMENSIONS



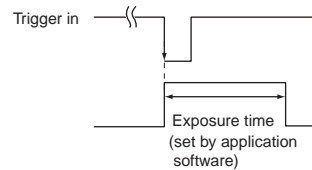
Unit:mm

## PIN ASSIGNMENT



- 1: Power
- 2: Power
- 3: TPB-
- 4: TPB+
- 5: TPA-
- 6: TPA+

## TRIGGER SHUTTER



Distributed By: I-CUBE

8362 Veterans Highway, Suite 102, Millersville, MD 21108 USA  
Toll Free (888)774-2823 (410)987-5555 Fax (410) 987-5111

<http://www.i-cubeinc.com>



©2000 Sony Corporation. All rights reserved.  
Reproduction in whole or in part without written permission is prohibited.  
Features and specifications are subject to change without notice.  
All non-metric weights and measures are approximate.  
Sony is a registered trademark of Sony.  
All other trademarks are the property of their respective owners.